

MESUR Lite data acquisition software is included with the WT3-200

The WT3-201 is designed to measure the pull-off force of wire and tube terminations. An ergonomic lever allows for easy application of up to 200 lbF (1,000 N) of force. Adjustable terminal fixture contains multiple slots for diameters up to AWG 3 (0.25 in [6.3 mm]).

A large, backlit graphic LCD displays easy-to-read values, including real-time force, peak force, programmable pass/fail limits, units of measurement, and more. Data can be transferred to a PC or other data collector via USB, RS-232, Mitutoyo (Digimatic), or analog outputs. An analog load bar is shown on the display for graphical representation of applied force.

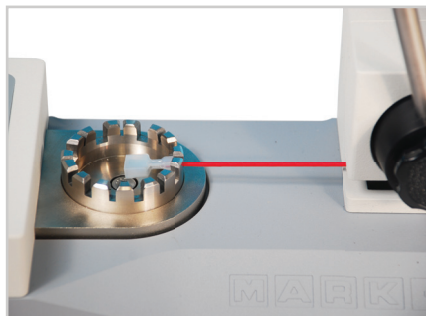
On-board data storage for up to 1,000 readings is included, as are statistical calculations and output to a PC. Unique automatic output / data storage / zeroing upon sample break helps automate testing processes.

An optional ring terminal fixture may be used to secure ring terminations, and an optional carrying case makes transportation simple and safe.

The WT3-201 includes MESUR™ Lite data acquisition software. MESUR™ Lite tabulates continuous or single point data. Data stored in the tester's memory can also be downloaded in bulk. One-click export to Excel allows for further data manipulation.

Features

- Measures real-time and peak forces
- Ergonomic lever operation produces 200 lbF (1,000 N)
- Terminal fixture suits wires up to Ø0.25 in [6.3 mm]
- USB, RS-232, Mitutoyo (Digimatic), and analog outputs
- Automatic output / data storage / zeroing upon sample break helps automate testing processes
- 1,000-point data memory with statistics and outputs
- Password protection prevents unauthorized changes
- Programmable set point indicators and outputs for pass / fail determination
- High-speed 7,000 Hz sampling rate accurately captures peak force values
- Configurable audio alarms and key tones
- Mounting holes for bench mounting



Adjustable wire terminal fixture accommodates wire diameter sizes up to 0.25 in (6.3 mm)

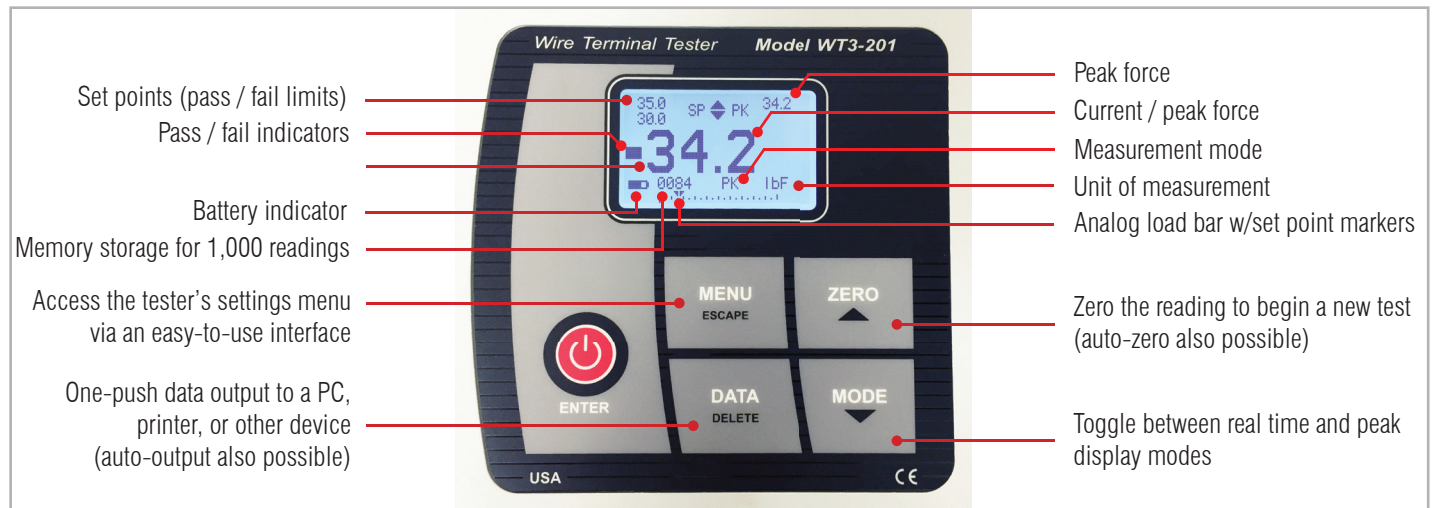


Ergonomic lever easily applies force and releases the sample.



Unique knurled cam design effectively secures and pulls the loose end of the sample.

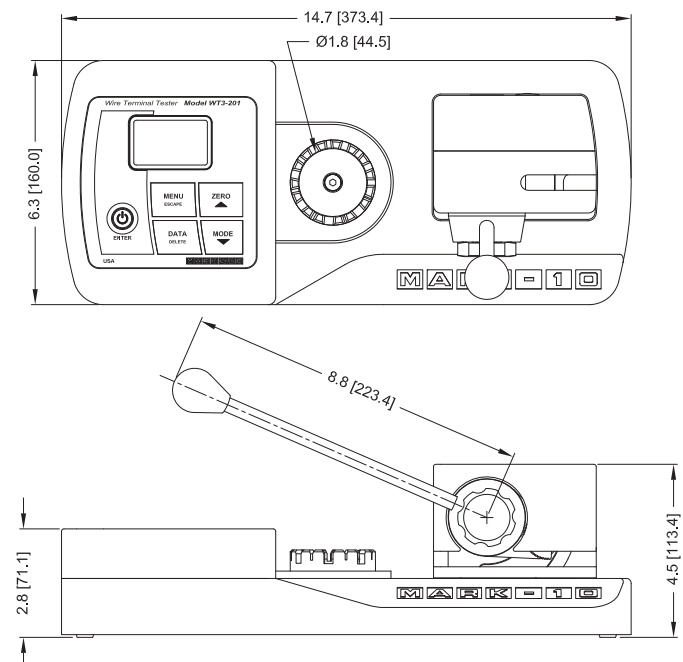
Controls & Indicators



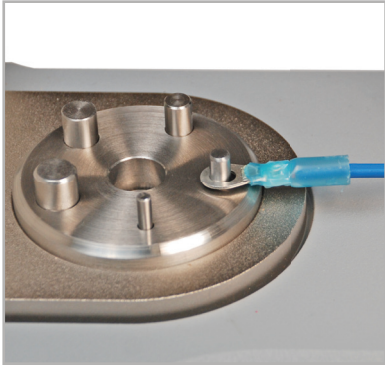
Specifications

Force Capacity:	200 x 0.1 lbf, 3200 x 2 ozF, 100 x 0.05 kgF, 1,000 x 0.5 N, 1 x 0.0005 kN
Accuracy:	±0.2% of full scale
Wire diameter range:	AWG30 - AWG 3 [0.01 - 0.25 in (0.3 - 6.3 mm)]
Minimum sample length:	6.0 in [152 mm], excluding termination
Max. elongation:	1.15 in [29.2 mm]
Power:	AC or rechargeable battery. Multi-step low battery indicator is displayed, tester shuts off automatically when power is too low. Battery life: Backlight on/off: up to 7/24 hours of continuous use
Sampling Rate:	7,000 Hz
Outputs:	USB / RS-232: Configurable up to 115,200 baud. Mitutoyo: Serial BCD suitable for all Mitutoyo SPC-compatible devices. Analog: ±1 VDC, ±0.25% of full scale at capacity.
Safe overload:	150% of full scale (display shows "OVER" at 110% and above)
Weight:	16.1 lb [7.3 kg]
Included items:	Universal voltage AC adapter, battery, quick-start guide, USB cable, resource CD (USB driver, MESUR™ Lite software, MESUR™ gauge DEMO software, and user's guide), and NIST-traceable certificate of calibration.
Environmental requirements:	40 - 100°F, max. 96% humidity, non-condensating
Warranty:	3 years (see individual statement for further details)

Dimensions in [mm]

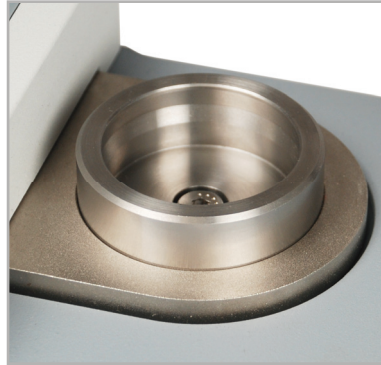


Optional Items



WT3002
Ring terminal fixture

Secures ring terminations. Pin diameter sizes from 1/8 to 3/8 in [3.2 to 9.5 mm].



WT3003
Machinable blank terminal fixture

For unique sample shapes and sizes.



WT3004
Carrying case

Provides storage space for the WT3-201 tester, optional ring terminal fixture, AC adapter, USB cable, and accessories.



AC1049
Calibration fixture

Complete set of brackets and hardware for calibration of a WT3-201, WT3-201M, or WT3-200 tester. Weights not available from Mark-10.

Ordering Information

Model	Description
WT3-201	Wire terminal tester, 110V
WT3-201E	Wire terminal tester, 220V EUR
WT3-201U	Wire terminal tester, 220V UK
WT3-201A	Wire terminal tester, 220V AUS
WT3002	Ring terminal fixture
WT3003	Machinable blank terminal fixture
WT3004	Carrying case
AC1049	Calibration kit